

# Tray 1 (Lighting Control)

4000k

5,000k

6500k

4K1

4K2

4K3

5K1

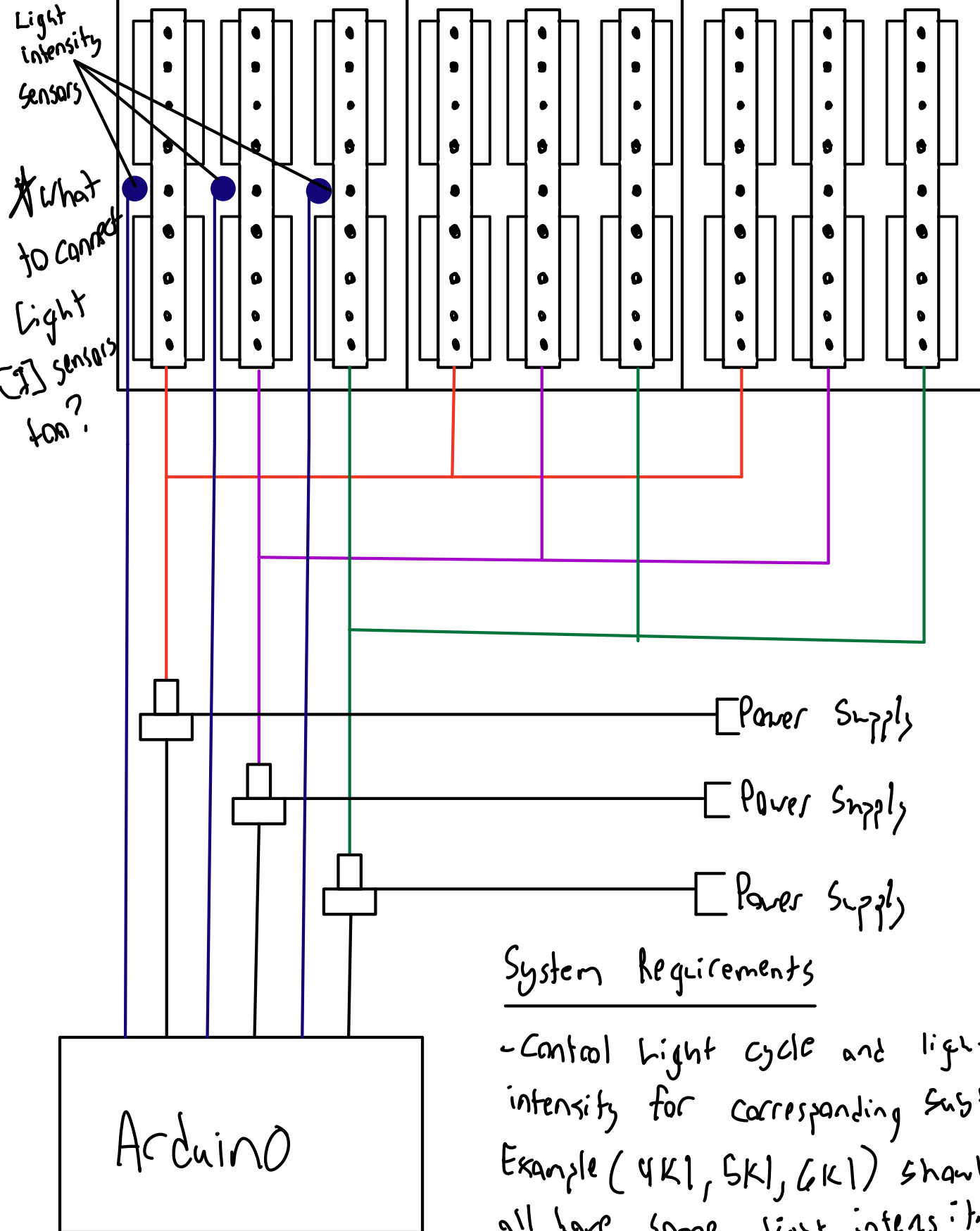
5K2

5K3

6K1

6K2

6K3

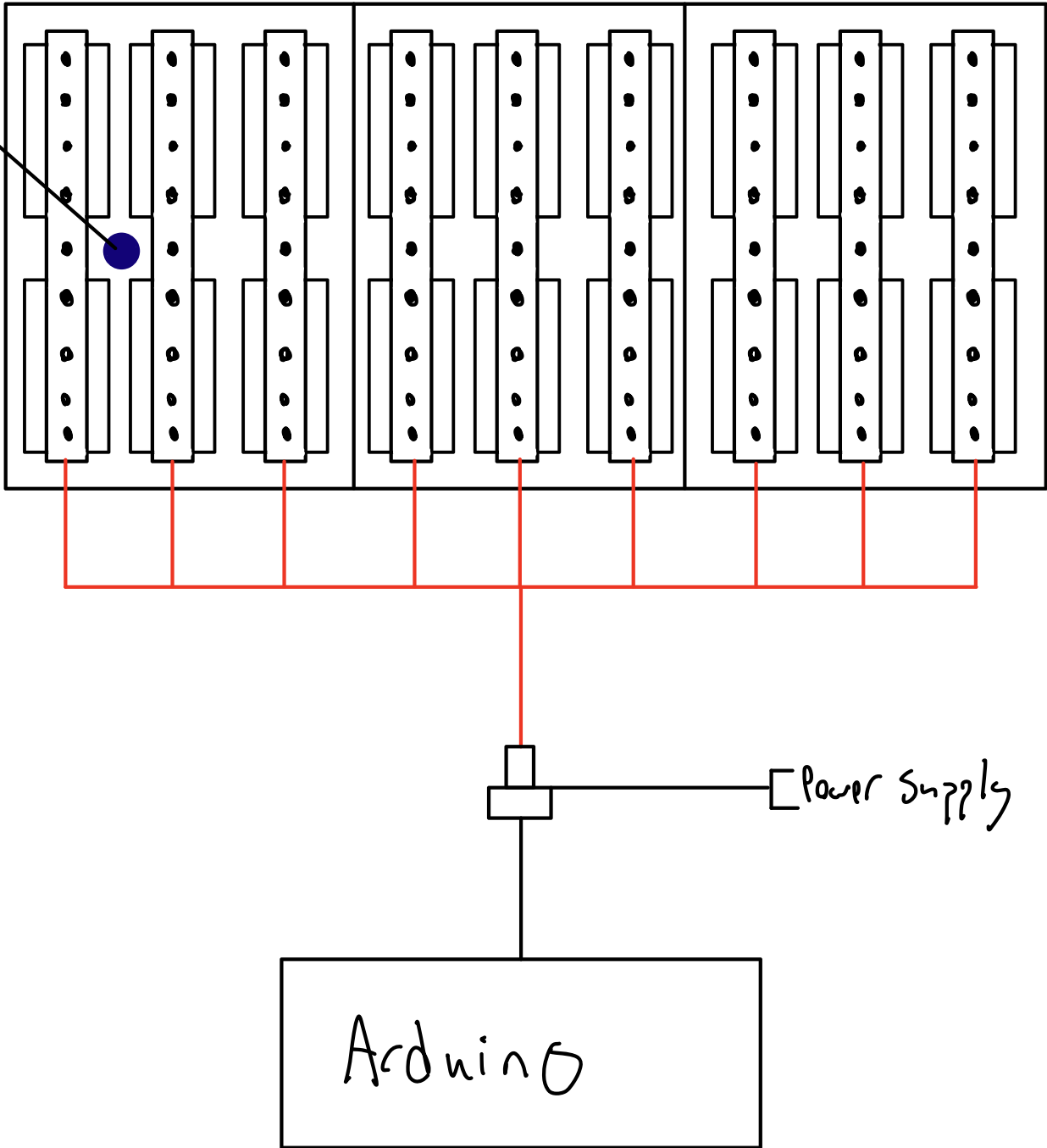


## System Requirements

- Control light cycle and light intensity for corresponding subtrays
- Example (4K1, 5K1, 6K1) should all have same light intensity & light cycle

# Tray 2 (Lighting Control)

Light Intensity sensor



# Climate Control (System)

